



“Be different and experience the distinctive Vencer Sarthe, built by a passionate team who went the extra mile. To make the Vencer Sarthe “yours” you can personalize the Sarthe in many ways. Join the Victory by owning a Vencer Sarthe”.

Passion and love for cars has created quite a few iconic cars in the past. Vencer intends to share and capitalize upon this passion, love and knowledge. To do this, we launched the Vencer Community. Around the world contestants can contribute ideas on design, knowledge, opinions and experiences.



Vencer therefore pushes its limits on a groundbreaking manner in the development of the Sarthe's successor.

So, feel the Victory and join us.

At the end of 2010 Robert Cobben laid the foundation for the design and from that point ideas grew to reality by starting up Vencer*.

Driven by those who said it couldn't be done, the Vencer Team continued to work on their dream with clear conviction. A sports car developed with a vision and with superior expertise by skilled engineers who have contributed their opinion and enthusiasm.

**We proudly present:
the Vencer Sarthe.**



Kind regards,

A handwritten signature in white ink, appearing to read 'Robert Cobben'.

Robert Cobben
CEO & Founder

*Vencer means to win/overcome.





Vencer **standard** equipment

Exterior:

- Full carbon painted body
- Clear carbon detailing (headlights, diffuser, engine air scoops)
- Carbon finish front and side splitters
- Dihedral doors
- 19"(front) and 20"(rear) aluminum 9 spokes Vencer Retanium rims with Vredestein Ultrac Vorti tires
- 14"(385 mm) brake system with 8 pistons(front) and 6 pistons(rear)
- Bi-xenon headlights and LED daytime running lights
- LED rearlights
- Exposed engine bay with polished engine details

Interior:

- Full leather interior with Vencer specific sport seats
- Handstitched leather steering wheel
- Climate control
- Aluminum shift mechanism and details
- Centralized start/stop button
- Keyless entry with alarm
- Centralized wide LCD instrument cluster
- 12 V power socket in glovebox
- Alcantara trim

Audio system:

- Semi touch Hi-Fi system with FM/AM radio with CD device
- MP3, iPhone compatible
- High-end amplifiers
- Polycrystal bi-speakersystem with separate tweeters





Vencer interior

The **Vencer Sarthe's interior** is handcrafted with using the finest materials. Black leather with grey stitching combined with a black finished mid-console is standard. Many add-ons are possible to personalize the interior.

Optional:

- Different collared stitching
- Mid-console in Carbon finish (natural, silver or black)
- Gold finished details.
- Personal colored leather/alcantara



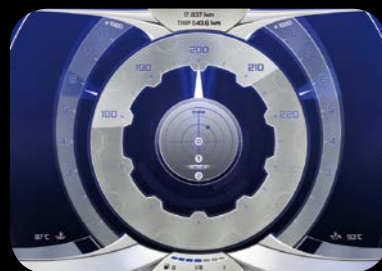
Vencer cockpit

The CIS* is positioned in the center of the interior.

With all info directly available on this position, driver becomes one with the car and the road.



The CIS can be personalized by each customer.



* CIS (Central Info System) is specially developed in collaboration with ID4motion.



Vencer cockpit

The information on the CIS* displayed are:

- Tri-rotate high accurate Speedometer
- Bi-REV counter
- Longitudinally and transversely G-force meter
- Clock
- Coolant and oil temperature
- Day and night view (automatic)
- Light, battery and fuel indication



Vencer Sarthe paint Finish



Pitch Black



Off White



Thursday Morning Blue



Astral Blue



Desert Yellow



Sonic Silver



Solid Black



Tudor Red



Sundown Orange



Brewster Green



Sunflower Yellow



Paragon Silver



Blinding White



Slate Blue



Gunmetal Grey



Mist Green



Recluse Brown



Haematic Red

Vencer Sarthe paint Finish

Vencer rims



Silver



Black

Vencer Sarthe is standard equipped with Retanium 9-spokes rims. A black/silver finish or polished rims are optional.



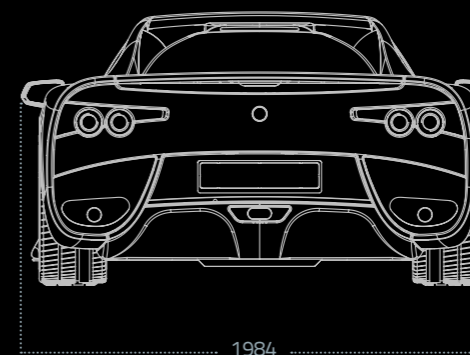
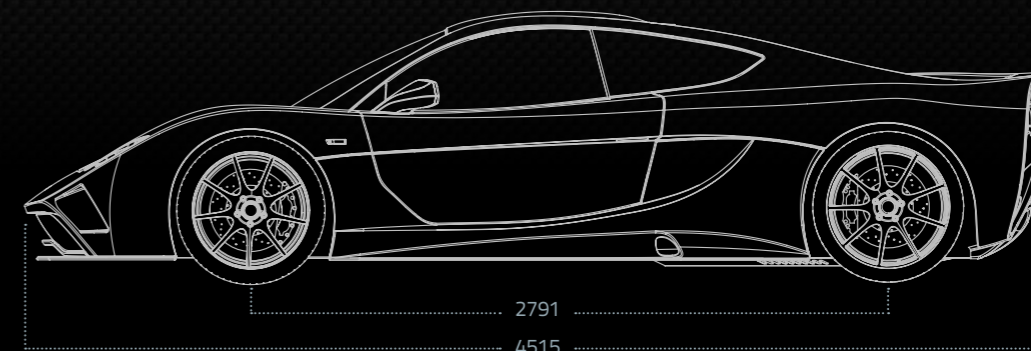
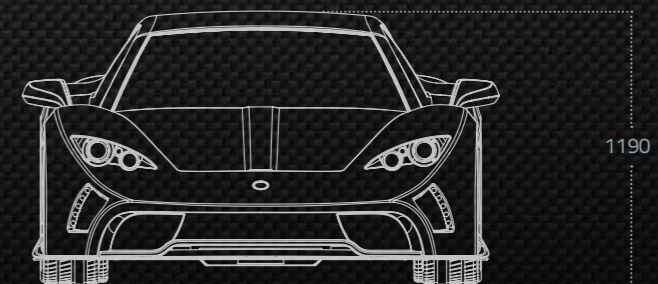
Retanium



Vencer **technical** specifications

BIW	Body panels	: Carbon
	Chassis	: Hybrid space frame
Powertrain	Engine	: V8 mid-engine
	Maximum Power [bhp/kW]	: 510 / 375 at 6000rpm
	Maximum Torque [Nm/lb/ft]	: 650 / 480 at 4700rpm
	Gearbox	: 6-speed Manual gearbox with limited slip differential
	Clutch	: twin-plate 240mm
Suspension	Construction	: Double Wishbone front and rear
	Front Brakes (disc mm / caliper)	: 385 mm / 8 piston
	Rear Brakes (disc mm / caliper)	: 385mm / 6 piston
	Front wheel/tyres	: Cast aluminium 8,5J / 245/35/19 Vredestein Ultrac Vorti
	Rear wheel/tyres	: Cast aluminium 11J / 295/30/20 Vredestein Ultrac Vorti
Dimensions	Weight	: 1390 Kg
	Weight distribution	: 45% / 55%
	Wheelbase	: 2791 mm
	Length	: 4515 mm
	Width	: 1984 mm
	Height	: 1190 mm
	Fuel capacity	: 55 L
Figures	Top Speed	: 326 km/h
	Acceleration 0-100 km/h	: 3,8 s
	Price	: on request

Vencer **measurements**







Vencer

De Watergang 16, 7671 SW Vriezenveen, The Netherlands

www.vencer.nl

All specifications are correct at the time of printing. Always check details with your Vencer dealership, as Vencer specifications and policies are continually developing. We reserve the right to change specifications at any time.

© Vencer 2013 Edition Spring 2013. Images are for illustration purpose only.

